

# HEATIT Z-WAVE



**HEATIT Z-WAVE**  
White RAL 9003

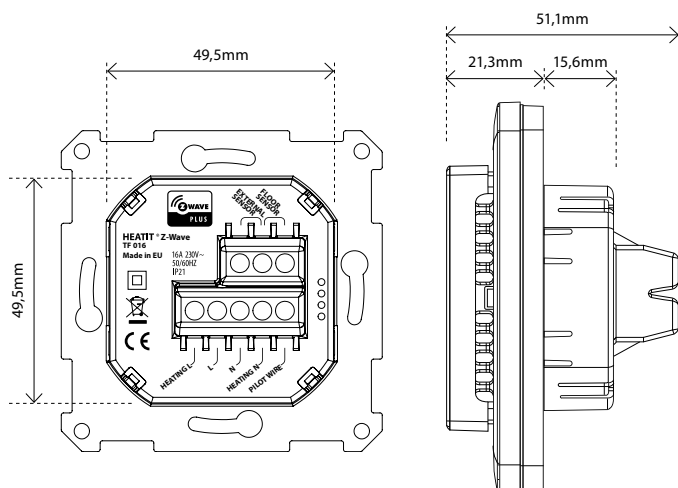
**HEATIT Z-WAVE**  
Black RAL 9011

Heatit Z-Wave is an electronic thermostat for floor heating in a standard wall box. The thermostat has a built-in Z-Wave chip that can be connected with Home Automation systems like Fibaro, Futurehome, Vera, Zipato, Smarthings, Homeseer etc.

Heatit Z-Wave is equipped with a single pole switch and fits into most frames used in Norway (Elko rs16, Schneider Exxact and Norvesco). The thermostat can withstand a load of max 16A / 3600W at 230V. At higher loads the thermostat must control a contactor. The thermostat can be connected to two external sensors.

The thermostat has the capacity of up to 8 associations (relays, wall plugs etc.)

**The thermostat is designed for electrical heating.**



## PRODUCT INFO Heatit Z-Wave

### FEATURES

- Floor sensor
- External room sensor
- Internal room sensor
- Temperature limiter
- Power regulator
- Z-Wave Plus chip, 500 series
- Weekly program via gateway
- Setback mode via gateway or pilot wire
- LED-diode
- Can be used in connection with different NTC-sensors
- Lock mode/child lock
- Calibration
- 8 associations

### TECHNICAL DATA

<b>Protocol</b>	Z-Wave
<b>Rated voltage</b>	230V 50/60Hz
<b>Max load</b>	3600W (resistive load) 750W self-limiting heating cable
<b>Max current</b>	16A
<b>Power consumption</b>	1,5W
<b>Min/max installation temp</b>	-20°C - 40°C
<b>Min/max operating temp</b>	5°C - 40°C
<b>Temperature intervals</b>	Floor sensor 5°C - 40°C External room sensor 5°C - 40°C
<b>Hysteresis</b>	0,3°C - 3,0°C (default 0,5°C)
<b>Switch</b>	Single-pole switch
<b>Included in package</b>	Floor sensor, El-nr. 54 301 07
<b>Compatible with NTC sensors with values</b>	10, 12, 15, 22, 33 and 47 kΩ @ 25°C
<b>IP Class</b>	IP 21
<b>Approvals</b>	Z-Wave Plus CE EN 60730-1, EN 60730-2-9 EMC 2014/30/EU, RoHS 2011/65/EU LVD 2014/35/EU

### TERMINAL

Use 1,5mm<sup>2</sup> or 2,5mm<sup>2</sup> according to load.

### WARRANTY

2 years

ART. NO.	PRODUCT	COLOR
54 304 99	Heatit Z-Wave thermostat 3600W 16A	White RAL 9003
54 304 98	Heatit Z-Wave thermostat 3600W 16A	Black RAL 9011
54 301 07	Floor sensor Ø 4mm 3 meters NTC 10 kΩ	
54 301 08	Floor sensor Ø 3mm 6 meters NTC 10 kΩ	
54 304 71	External enclosed sensor IP 20/54	
54 304 97	Cable for software update on thermostat	

Product specifications may change without further notice. All electrical installations must be carried out by a licensed electrician. The product must be installed in accordance with national building codes and our installers manual.

