

PRODUCT INFO Heatit Z-TRM3



FUNCTIONS

- Floor sensor
- Internal room sensor
- External room sensor (connected by cable)
- Temperature limiter
- SmartStart
- Weekly program/setback via gateway
- Supports encryption mode: S0, S2 Authenticated Class, S2 Unauthenticated Class
- Temperature read out in gateway
- Firmware update (OTA)
- Power metering
- Relay status LED
- Single pole switch
- Lock mode/child lock
- Calibration
- 5 associations

This product is a security-enabled Z-Wave Plus product with encryption. The product must be used with a security-enabled Z-Wave Controller in order to fully utilize the product.

TECHNICAL DATA

Protocol	Z-Wave - 868,4MHz
Chip	Z-Wave 500 chip
Rated voltage	230V 50/60Hz
Max load	3600W (resistive load) 750W self-limiting heating cable
Max current	16A
Power consumption	<2,0W
Ambient temperature	0°C to 40°C (during operation)
Temperature range	5°C to 40°C
Hysteresis	0,3°C to 3,0°C (default 0,5°C)
Compatible with NTC sensors with values	10, 12, 15, 22, 33 and 47 kΩ @ 25°C
IP Code	IP 21
Approvals	Z-Wave Plus, CE, EN 60730-1, EN 60730-2-9, EMC 2014/30/EU, RoHS 2011/65/EU, LVD 2014/35/EU

Approved for use in bathrooms.

TERMINAL

Use 1,5mm² or 2,5mm² according to load.

MAINTENANCE

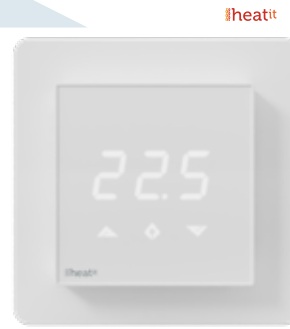
The product is maintenance-free, but must not be covered.

WARRANTY

2 years

HEATIT Z-TRM3

- electronic thermostat



54 305 99

HEATIT Z-TRM3
White RAL 9003



54 304 46

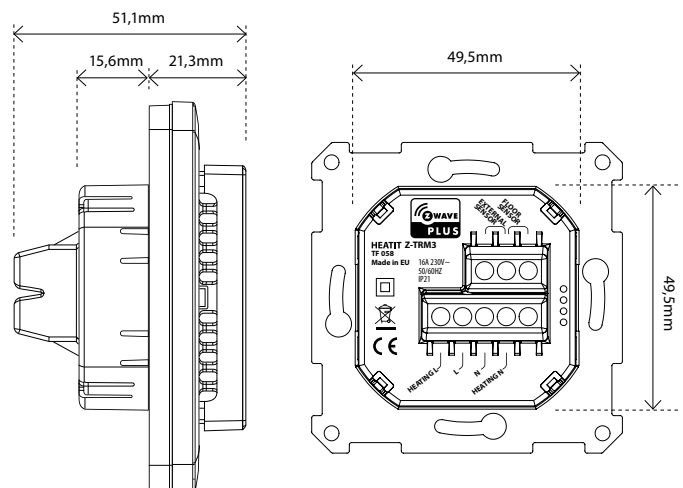
BLACK PLASTIC KIT
Black RAL 9011



Heatit Z-TRM3 is an electronic thermostat for electrical floor heating, designed to be mounted in a standard flush box. The thermostat has a built-in Z-Wave chip that can be connected with Home Automation systems. Heatit Z-TRM3 has SmartStart. This feature allows the user to include all devices with SmartStart by scanning the QR codes on the devices. On startup all the devices will automatically be included in the gateway (requires SmartStart compability). This saves the installer a lot of work.

Heatit Z-TRM3 is equipped with a single pole switch and fits into System 55 frames. The thermostat can withstand a load of max 16A /3600W at 230V. At higher loads the thermostat must control a contactor. The thermostat may be connected to two wired external sensors. The thermostat has the capacity of up to 5 associations (relays, wall plugs etc.).

The thermostat is designed for electrical heating. It may be used for waterbased heating if the thermostat is linked with the Heatit Z-Water.



ART. NO.	PRODUCT	COLOR	Z-WAVE FREQUENCY
54 305 99	Heatit Z-TRM3 thermostat 3600W 16A	White RAL 9003	EU 868,4MHz
54 304 46	Plastic kit for Heatit (front and frame)	Black RAL 9011	
54 301 07	Floor sensor Ø 4mm 3 meters NTC 10 kΩ		
54 301 08	Floor sensor Ø 4mm 6 meters NTC 10 kΩ		
54 301 27	External enclosed sensor IP 20/54 NTC 10 kΩ		

The product is also available in other Z-Wave frequency versions on request.

Product specifications may change without further notice. All electrical installations must be carried out by a licensed electrician. The product must be installed in accordance with national building codes and our installers manual.

